

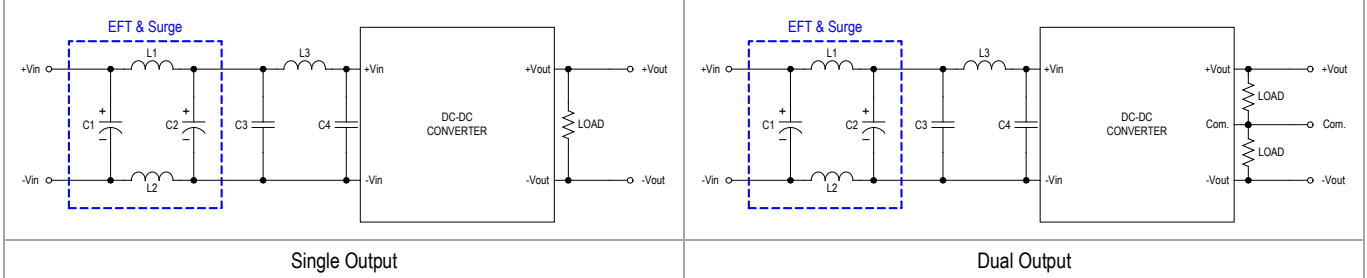


MINMAX[®]

MJWI30 Series - EMC Notes

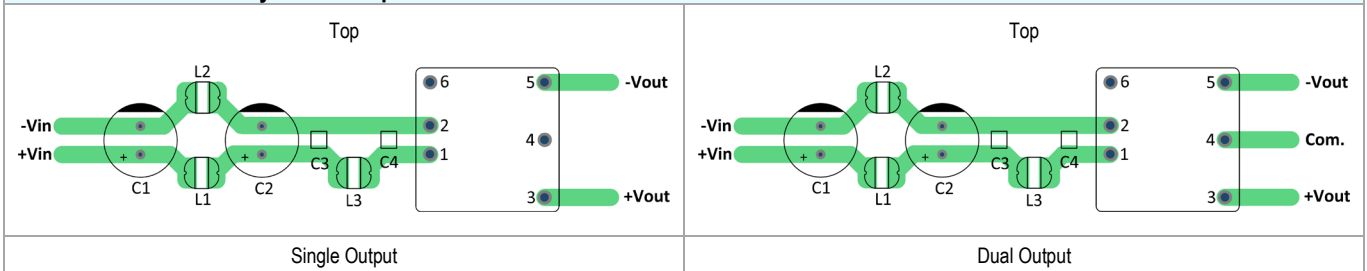
MJWI30 Series - EMC Notes

External Filter meets Total solution (for EFT & Surge & EMI) EN 55032, class A



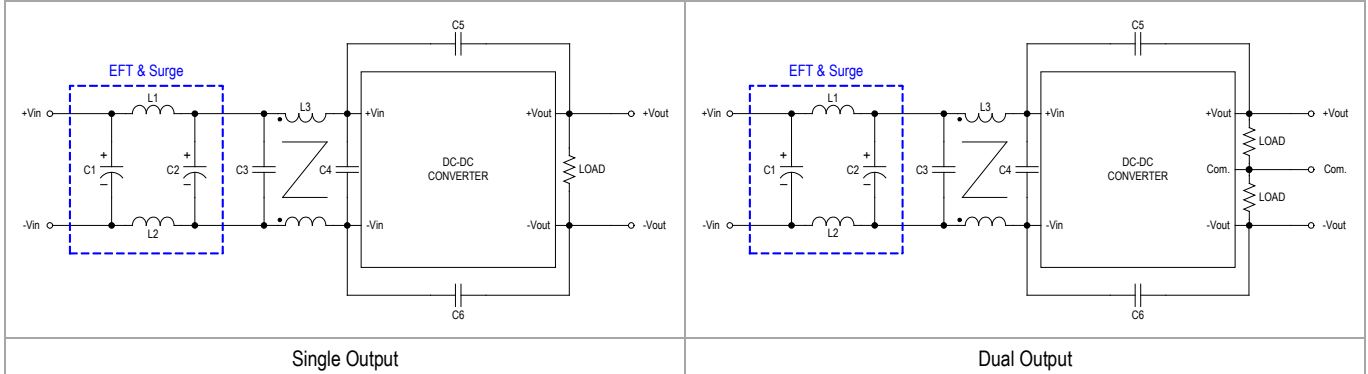
Model	C1, C2	L1, L2	C3, C4	L3
MJWI30-24XXX	470µF/50V CHEMI-CON KY Series	2.2µH/4.6A 744774022	10µF/50V 1210 X7R	2.2µH/4.6A 744774022
MJWI30-48XXX	220µF/100V CHEMI-CON KY Series	---	4.7µF/100V 1210 X7S	4.7µH/2.4A 7447745047

Recommended PCB Layout with Input Filter



MJWI30 Series - EMC Notes

External Filter meets Total solution (for EFT & Surge & EMI) EN 55032, class B



Model	C1, C2	L1, L2	C3, C4	L3	C5, C6
MJWI30-24XXX	470µF/50V CHEMI-CON KY Series	2.2µH/4.6A 744774022	10µF/50V 1210 X7R	744842932	2200pF/2kV 1206 X7R
MJWI30-48XXX	220µF/100V CHEMI-CON KY Series	4.7µH/3A 744774047	4.7µF/100V 1210 X7S	744842932	2200pF/2kV 1206 X7R

Recommended PCB Layout with Input Filter

